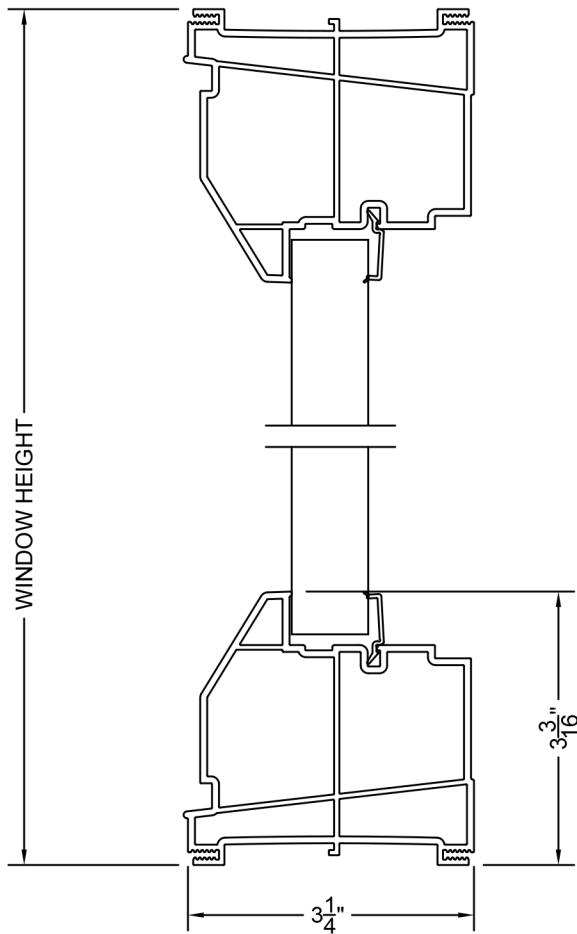
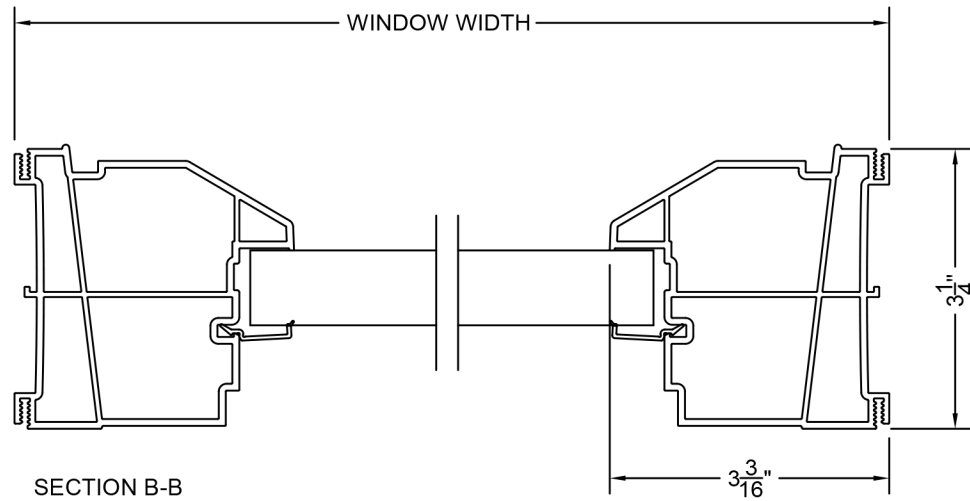


**KASSON & KELLER INC.**  
**SERIES 7000 CASEMENT PICTURE WINDOW CROSS-SECTION**

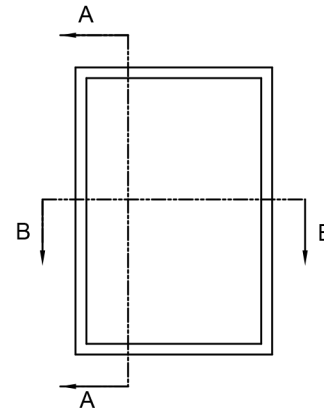
10-01-10



SECTION A-A  
SCALE: 1:1



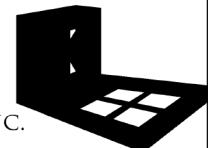
SECTION B-B  
SCALE: 1:1



ELEVATION VIEW

COPYRIGHT 2011  
 THIS DRAWING AND ITS CONTENTS ARE  
 THE SOLE PROPERTY OF  
 KASSON & KELLER, INC.  
 ANY UNAUTHORIZED USE OR  
 REPRODUCTION IS STRICTLY PROHIBITED.

**Kas-Kel**  
 KASSON & KELLER, INC.



SHEET:  
 1  
 OF  
 1

DRAWN BY:  
 JPP  
 DRAWING #  
 7000 SERIES CASEMENT PW